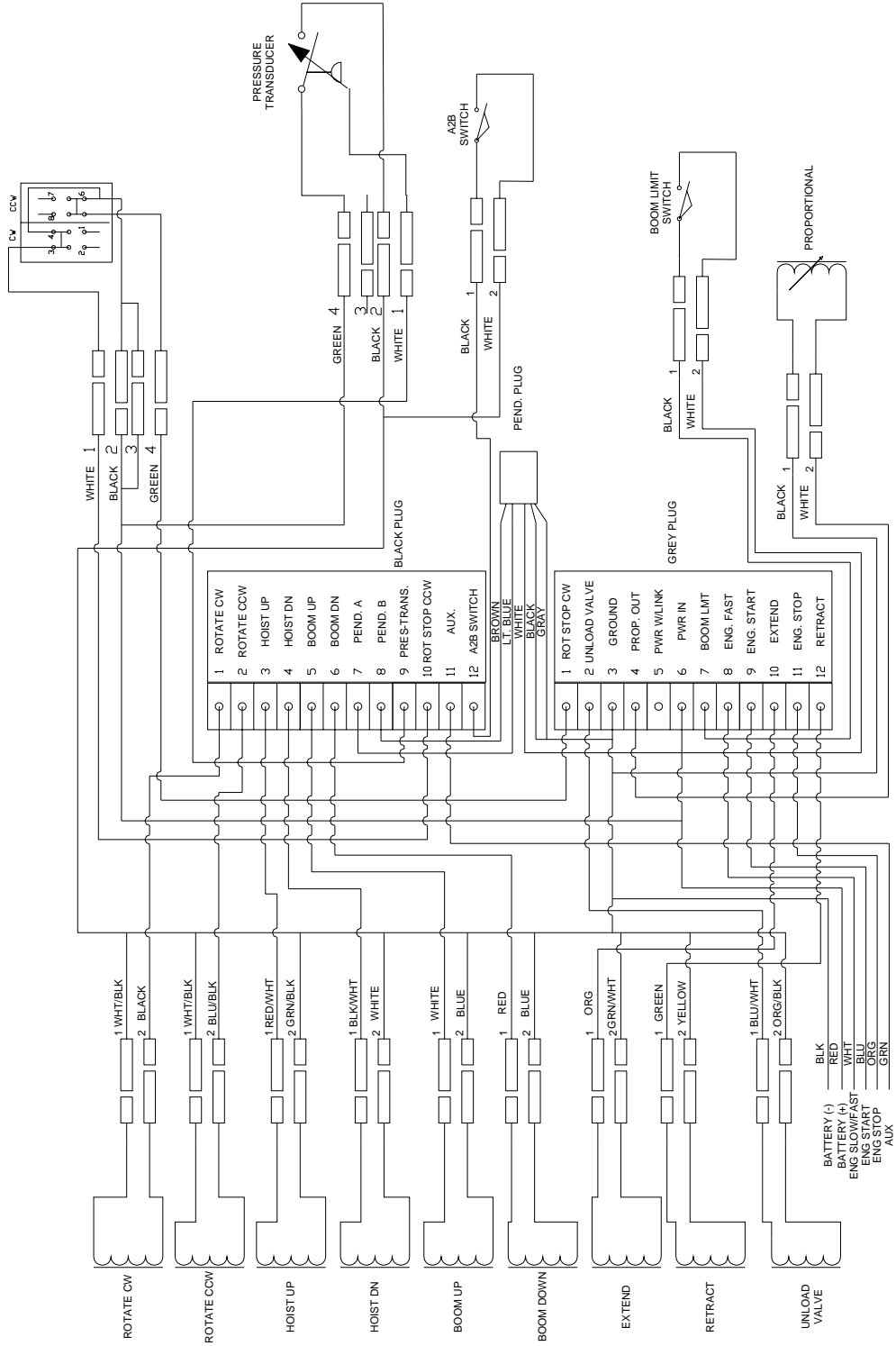


8406H MANUAL SUPPLEMENT ELECTRICAL

THE SUPPLEMENT APPLIES TO FM CRANES USING THE OMNEX CONTROL SYSTEM. THE INFORMATION IN THIS SUPPLEMENT SUPERCEDES THE INFORMATION IN THE OWNERS MANUAL.

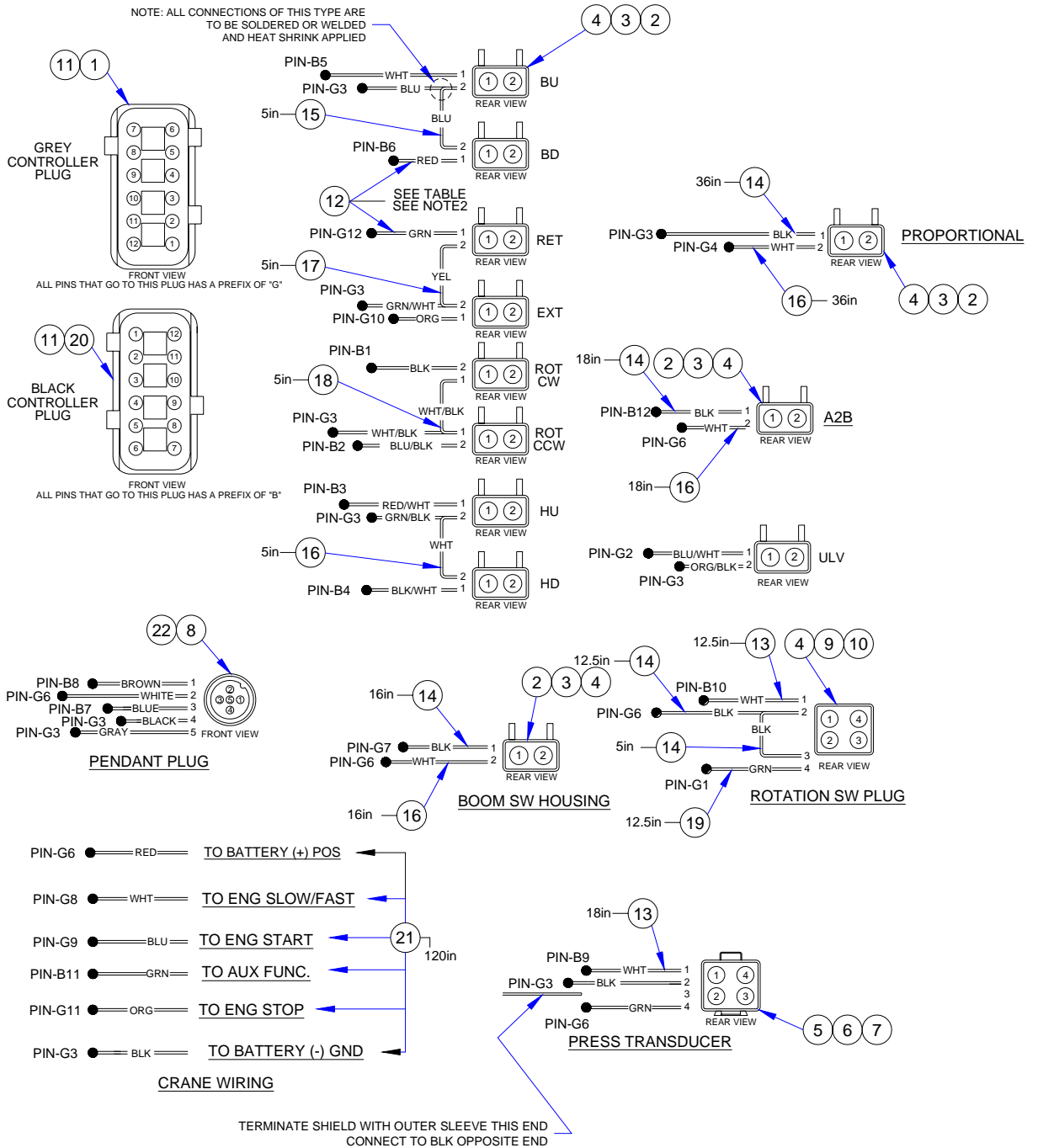
8406H MANUAL SUPPLEMENT ELECTRICAL

ELECTRICAL SCHEMATIC - 366378000



8406H MANUAL SUPPLEMENT ELECTRICAL

MAIN WIRING HARNESS - P/N: 361102000

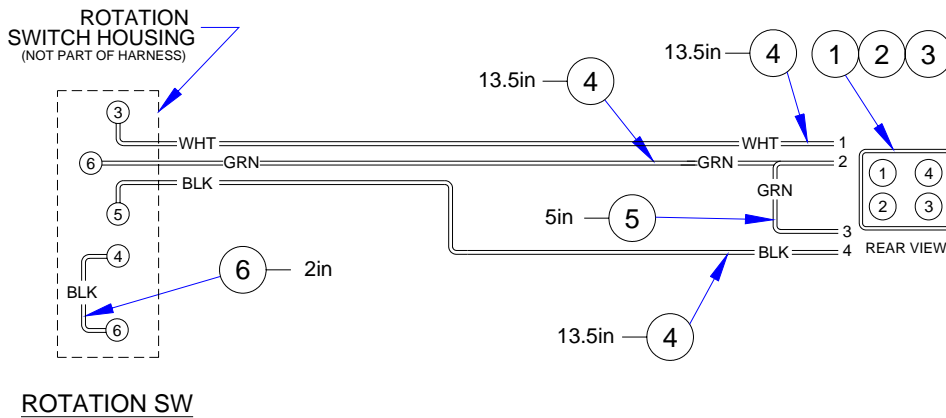


8406H MANUAL SUPPLEMENT ELECTRICAL

| ITEM NO. | QTY. | PART NO. | DESCRIPTION |
|----------|----------|-----------|------------------------------------|
| 1 | 1 | 680163000 | HOUSING DEUTSCH 12-PIN (GRAY) |
| 2 | 12 | 366367001 | HOUSING DEUTSCH CONNECTOR |
| 3 | 12 | 366367002 | WEDGE DEUTSCH PLUG 2-PIN |
| 4 | 28 | 366367003 | CONTACT DEUTSCH CONNECTOR (SOCKET) |
| 5 | 1 | 366376001 | HOUSING DEUTSCH RECEPTACLE 4-PIN |
| 6 | 1 | 366376002 | WEDGE DEUTSCH 4-PIN |
| 7 | 4 | 366376003 | CONTACT DEUTSCH CONNECTOR (PIN) |
| 8 | 1 | 680164000 | RECEPTACLE, PENDANT PLUG |
| 9 | 1 | 320931002 | WEDGE DEUTSCH PLUG 4-PIN |
| 10 | 1 | 320931001 | HOUSING DEUTSCH PLUG 4-PIN |
| 11 | 24 | 680163001 | CONTACT DEUTSCH CONNECTOR (SOCKET) |
| 12 | 36 in | 800633000 | CABLE 16 GA 14 COND |
| 13 | 18 in | 750038000 | CABLE 18 GA 4 COND SHIELDED |
| 14 | 87.5 in | 800590000 | WIRE 16 GA 1 COND BLACK |
| 15 | 5 in | 800594000 | WIRE 16 GA 1 COND BLUE |
| 16 | 105.5 in | 800592000 | WIRE 16 GA 1 COND WHITE |
| 17 | 5 in | 800596000 | WIRE 16 GA 1 COND YELLOW |
| 18 | 5 in | 800603000 | WIRE 16 GA 1 COND WHITE W/BLACK |
| 19 | 12.5 in | 800595000 | WIRE 16 GA 1 COND GREEN |
| 20 | 1 | 680163002 | HOUSING DEUTSCH 12-PIN (BLACK) |
| 21 | 120 in | 800629000 | CABLE 16 GA 6 COND |
| 22 | 1 | 680164001 | COVER, PENDANT PLUG RECEPTACLE |

8406H MANUAL SUPPLEMENT ELECTRICAL

ROTATION WIRING HARNESS – P/N: 460165000



| ITEM NO. | QTY. | PART NO. | DESCRIPTION |
|----------|------|-----------|--------------------------|
| 1 | 1 | 366376001 | RECEPTACLE HOUSING 4-PIN |
| 2 | 1 | 366376002 | WEDGE, RECEPTACLE |
| 3 | 4 | 366376003 | CONTACT, PIN |
| 4 | 15.5 | 800628000 | CABLE 16 GA 3 COND |
| 5 | 5 | 800595000 | WIRE 16 GA 1 COND GRN |
| 6 | 2 | 800590000 | WIRE 16 GA 1 COND BLK |