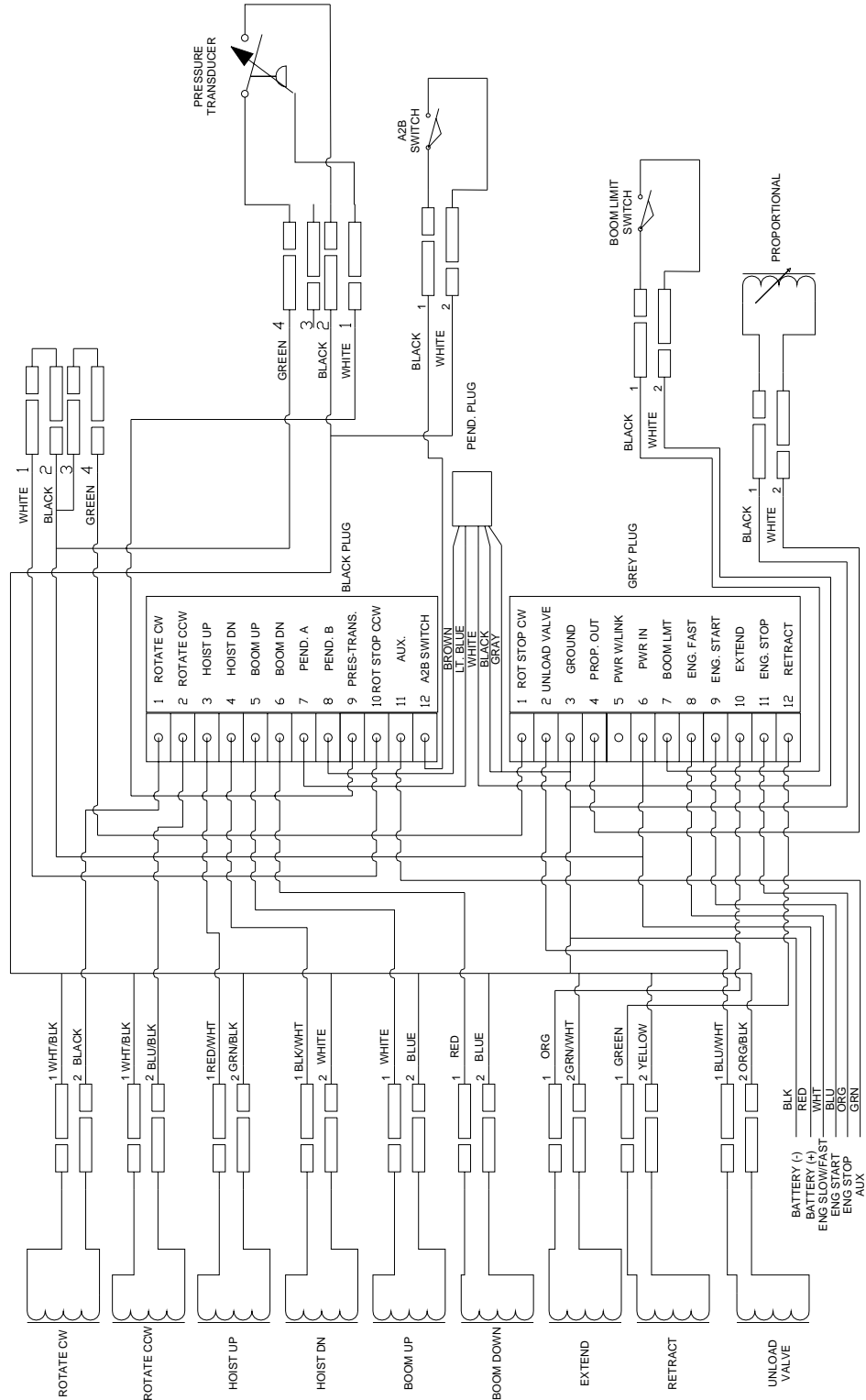


# ***5005H MANUAL SUPPLEMENT ELECTRICAL***

THE SUPPLEMENT APPLIES TO FM CRANES USING THE OMNEX CONTROL SYSTEM. THE INFORMATION IN THIS SUPPLEMENT SUPERCEDES THE INFORMATION IN THE OWNERS MANUAL.

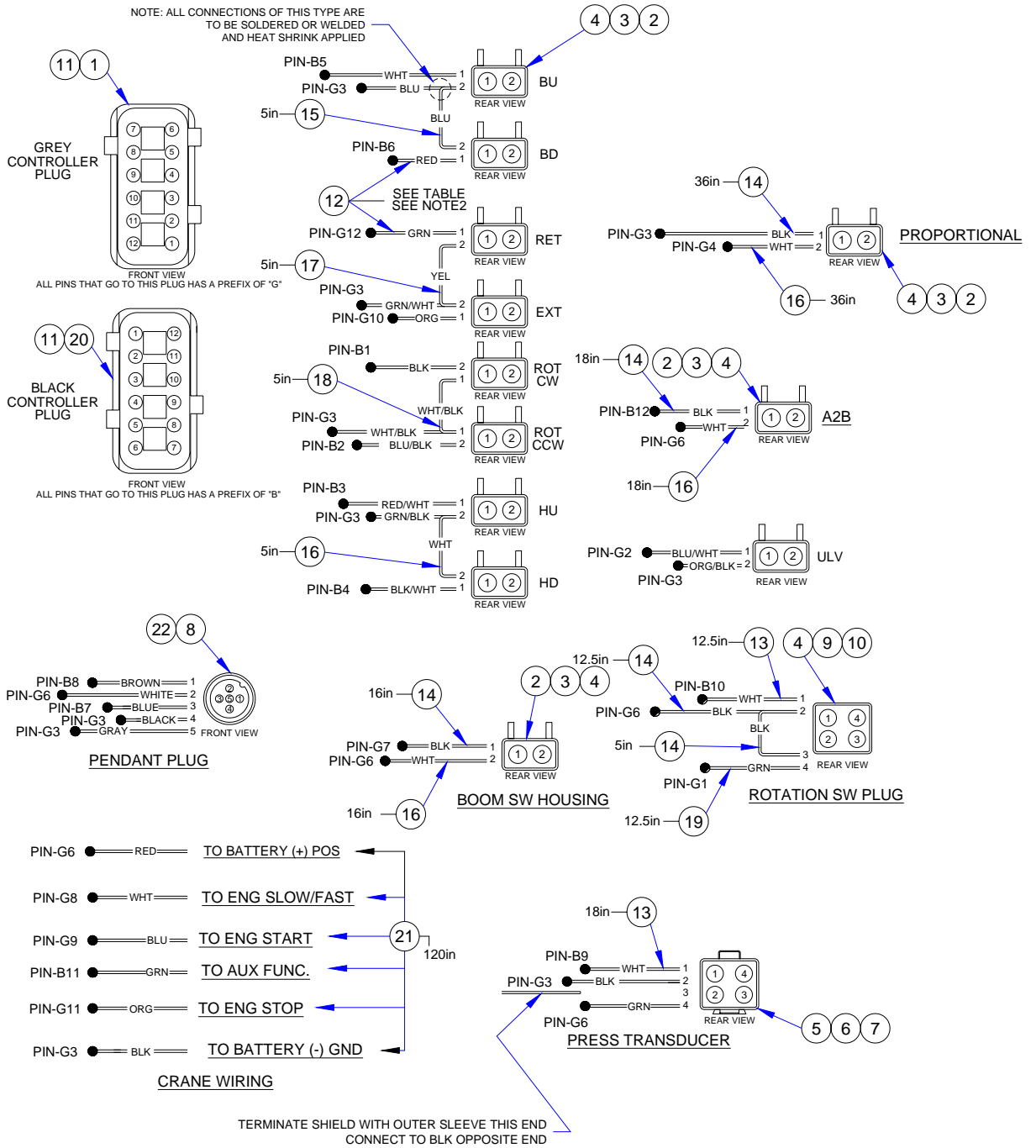
# 5005H MANUAL SUPPLEMENT ELECTRICAL

## ELECTRICAL SCHEMATIC



# 5005H MANUAL SUPPLEMENT ELECTRICAL

## MAIN WIRING HARNESS - P/N: 361102000

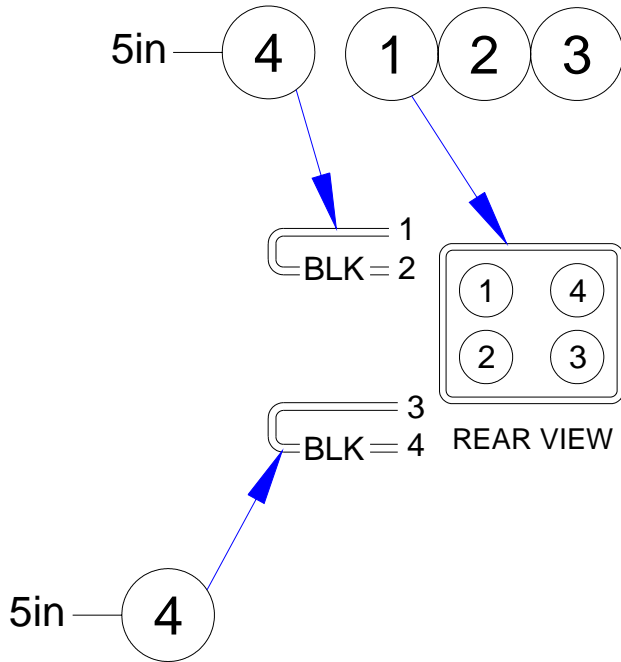


## **5005H MANUAL SUPPLEMENT ELECTRICAL**

<b>ITEM NO.</b>	<b>QTY.</b>	<b>PART NO.</b>	<b>DESCRIPTION</b>
1	1	680163000	HOUSING DEUTSCH 12-PIN (GRAY)
2	12	366367001	HOUSING DEUTSCH CONNECTOR
3	12	366367002	WEDGE DEUTSCH PLUG 2-PIN
4	28	366367003	CONTACT DEUTSCH CONNECTOR (SOCKET)
5	1	366376001	HOUSING DEUTSCH RECEPTACLE 4-PIN
6	1	366376002	WEDGE DEUTSCH 4-PIN
7	4	366376003	CONTACT DEUTSCH CONNECTOR (PIN)
8	1	680164000	RECEPTACLE, PENDANT PLUG
9	1	320931002	WEDGE DEUTSCH PLUG 4-PIN
10	1	320931001	HOUSING DEUTSCH PLUG 4-PIN
11	24	680163001	CONTACT DEUTSCH CONNECTOR (SOCKET)
12	36 in	800633000	CABLE 16 GA 14 COND
13	18 in	750038000	CABLE 18 GA 4 COND SHIELDED
14	87.5 in	800590000	WIRE 16 GA 1 COND BLACK
15	5 in	800594000	WIRE 16 GA 1 COND BLUE
16	105.5 in	800592000	WIRE 16 GA 1 COND WHITE
17	5 in	800596000	WIRE 16 GA 1 COND YELLOW
18	5 in	800603000	WIRE 16 GA 1 COND WHITE W/BLACK
19	12.5 in	800595000	WIRE 16 GA 1 COND GREEN
20	1	680163002	HOUSING DEUTSCH 12-PIN (BLACK)
21	120 in	800629000	CABLE 16 GA 6 COND
22	1	680164001	COVER, PENDANT PLUG RECEPTACLE

# 5005H MANUAL SUPPLEMENT ELECTRICAL

ROTATION WIRING HARNESS – P/N: 460171000



ITEM NO.	QTY.	PART NO.	DESCRIPTION
1	1	366376001	RECEPTACLE HOUSING 4-PIN
2	1	366376002	WEDGE, RECEPTACLE
3	4	366376003	CONTACT, PIN
4	10	800590000	WIRE 16 GA 1 COND BLK